

Model TSA-OF40

None-Contact Angle Position Sensor

- ▶ Hall effective
- ▶ Absolute Position
- ▶ Linearity < $\pm 0.2\%$
- ▶ Long life
- ▶ Single turn
- ▶ Penal Mount



MECHANICAL		
	Mechanical Range	200°
	Starting Torque	0.5Ncm
	Max Rotating Speed	120rpm
	Max Permitted Axial Shaft Load	10N
	Max Permitted Radial Shaft Load	10N
	Weight	21g

ELECTRICAL		
	Measuring Range	180°
	Independent Linearity	< $\pm 0.2\%$
	Resolution	12 bit
	Refresh Rate	290 (± 15) μ s
	Max. Hysteresis	0.1°
	Max. Repeatability	0.1°
	Supply Voltage	5 ($\pm 10\%$) VDD, Available for other options
	Supply Current	<12mA
	Output Load Analog	10k Ω
	Load Output Capacity	10 to 330nF

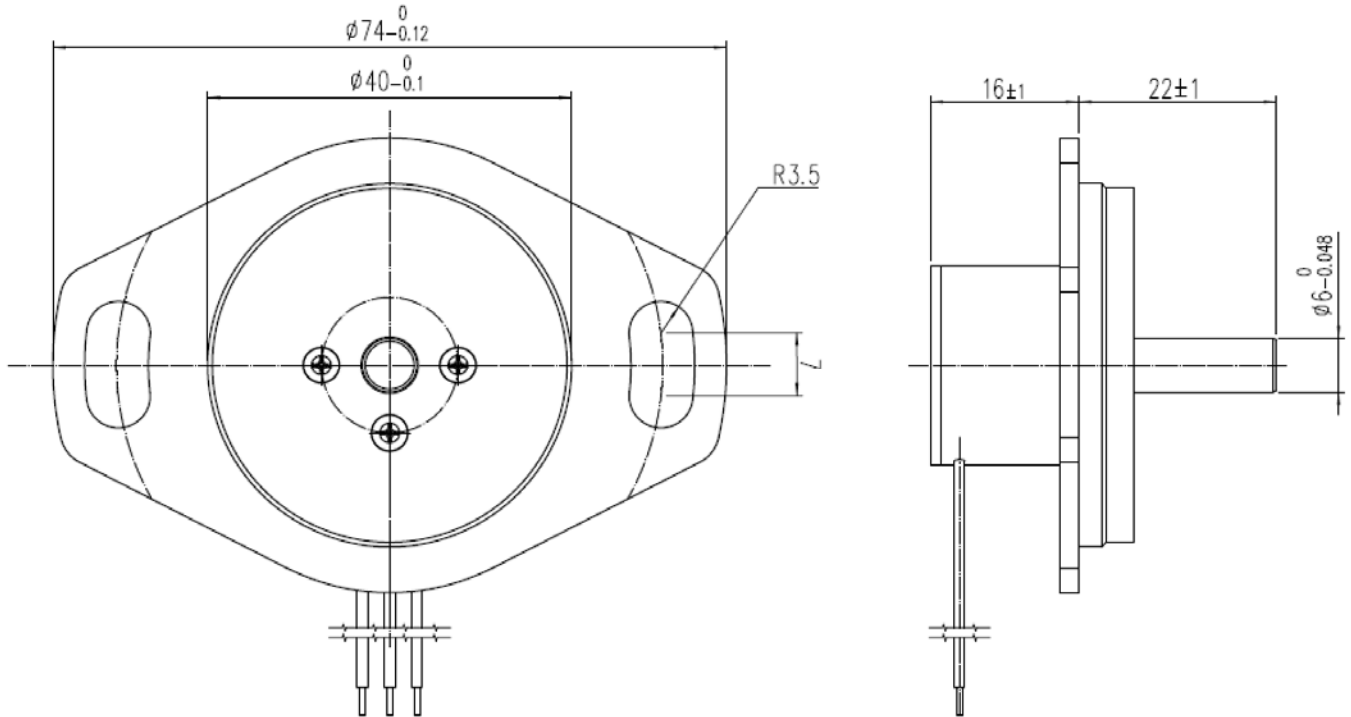
ENVIRONMENTAL		
	Protection Class	IP54/65
	Min. Life	10 millions Turns
	Operation Temperature Range	-40°C ~ +150°C
	Storage Temperature	-40°C ~ +85°C
	IEC 68-2-6 Vibration (Amax = 0.75mm, f = 5 ... 2000 Hz)	20g

CE-CONFORMITY	
	RF noise field strength EN 55011, class B
	ESD EN 61000-4-2
	Radiated immunity EN 61000-4-3
	Burst EN 61000-4-4
	Conducted disturbances induced by RF fields EN 61000-4-6

ORDERING INFORMATION

TSA 22	1	1	1	1	8	0	D	1	E	Effective Electronic Travel		
										180	Standard	180°, Mechanic Travel 200°
										XXX	Optional	Available for other Angle Request
										Shaft Type		
										D	Standard	D Type
										I	Standard	I Type
										R	Standard	Round Type
										X	Optional	Customized are avail
										Shaft Length		
										1	Standard	23mm
										X	Optional	Customized are avail
										Operation Temperature		
										E	Standard	-40°C ~ +85°C
										K	Standard	-40°C ~ +125°C
										L	Optional	-40°C ~ +150°C
										Output Signal		
										1	Standard	10% - 90%
										2	Standard	0% - 100%
										3	Optional	4 - 20 mA
										X	Optional	X% - Y%
										Input Voltage		
										1	Standard	5V DC
										2	Optional	10V DC
										3	Optional	12V DC
										4	Optional	24V DC
										X	Optional	Available for other Request
										Output Characteristic		
										1	Standard	Positive gradient CW
										2	Standard	Positive gradient CCW
										X	Optional	Available for other Request

OUTLINE DRAWING



ACCESSORY

Lock Nut	x2
Screw	x2
Cable	