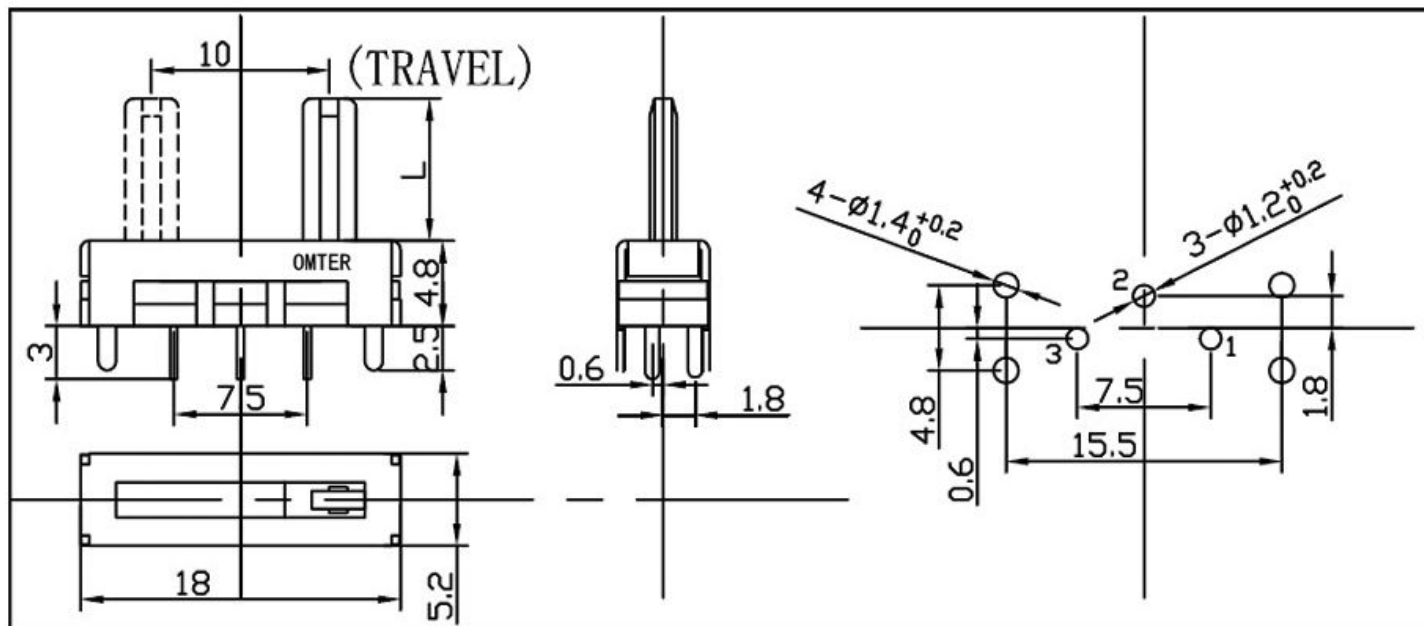
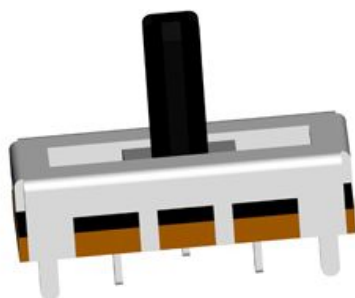


C1001N



参数特性General Specification:

全阻抗值: Total Resistance	1KΩ~1MΩ
全阻抗值容许差: Total Resistance tolerance	±20%
残留阻值: Residual resistance	Term.2~3:Less than 20Ω
抵抗变化特性: Resistance Tape	A,B,C.
定格电力: (W) Ratings Power	B:Single 0.3 Dual 0.15 Except B: Single 0.1 Dual 0.05
额定电压: (V)Rated voltage	B:(C15:100) 其它: 200 Except B:(C15:50)其它150
绝缘抵抗:Insulation Resistance	100MΩ min. at 250V DC
耐电压:Voltage proof	1 minute at 250V AC
滑动寿命:Sliding Life	15,000 cycles min.
滑动力矩:Operating Force	30gf.cm~100gf.cm
滑动止动强度:Lever stopper strength	3Kgf.cm(5mm point from mounting surface) 2(2×L)/20mm Max
滑动柄摇强度: Lever wobble	(L:Level length both sides)
滑动杂音:Slider noise	未滿47mv less than 47mv
中心定位力: Click slip-out force	Operating force +20~200gf.cm