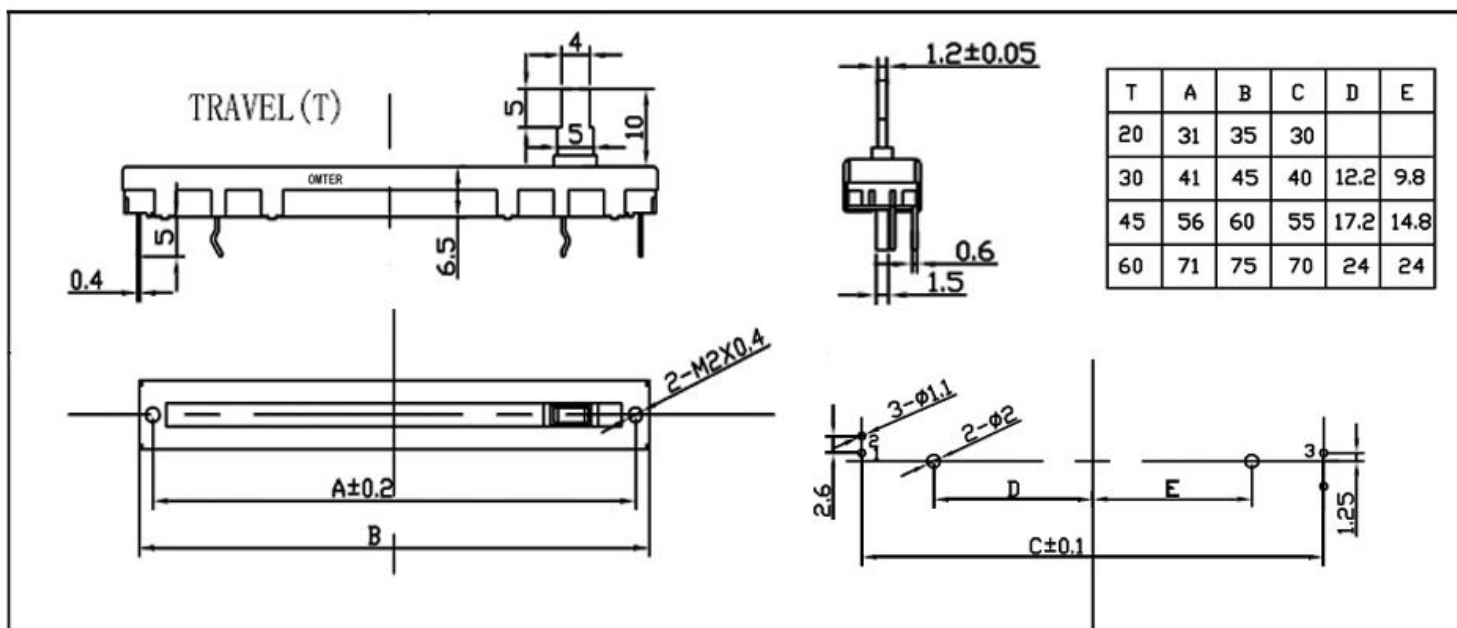
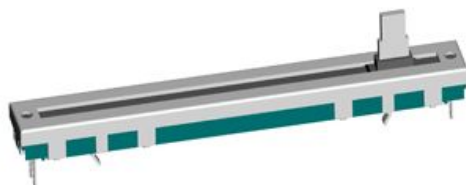


C3005N-A3

C4505N-A3

C6005N-A3



参数特性 General Specification:

全阻抗值: Total Resistance	1KΩ~1MΩ
全阻抗值容许差: Total Resistance tolerance	±20%(More than 500kΩ ±30%)
残留阻值: Residual resistance	R<10KΩ, 10Ω
	10KΩ≤R≤100KΩ, 20Ω
	100KΩ<R≤500KΩ, 1-2T:30Ω, 2-3T:50Ω
	500KΩ<R≤1MΩ, 1-2T:30Ω, 2-3T:50Ω
抵抗变化特性: Resistance Tape	A, B, C, D
定格电力: (W) Ratings Power	Single unit, B curve, 0.1W; except B, 0.05W
	Dual unit, B curve, 0.05W; except B, 0.025W
最高使用电压: Max. operation voltage	Linear taper B, AC200V Other tapers AC150V
滑动杂音: Slider noise	100mV以下 Less than 100mV
绝缘抵抗: Insulation Resistance	More than 100mΩ at DC 250V
耐电压: Voltage proof	1minute at AC 300V
连动误差: Gang error	-40~0dB at ±3dB(for dual unit only)
滑动寿命: Sliding Life	More than 10,000 cycles Min
滑动力矩: Operating Force	20~200gf.cm
滑动止动强度: Lever stopper strength	3Kgf
把柄之偏心: Lever deviation	0.5Max(one side)
中心定位力: Click slip-out force	30~250gf.cm