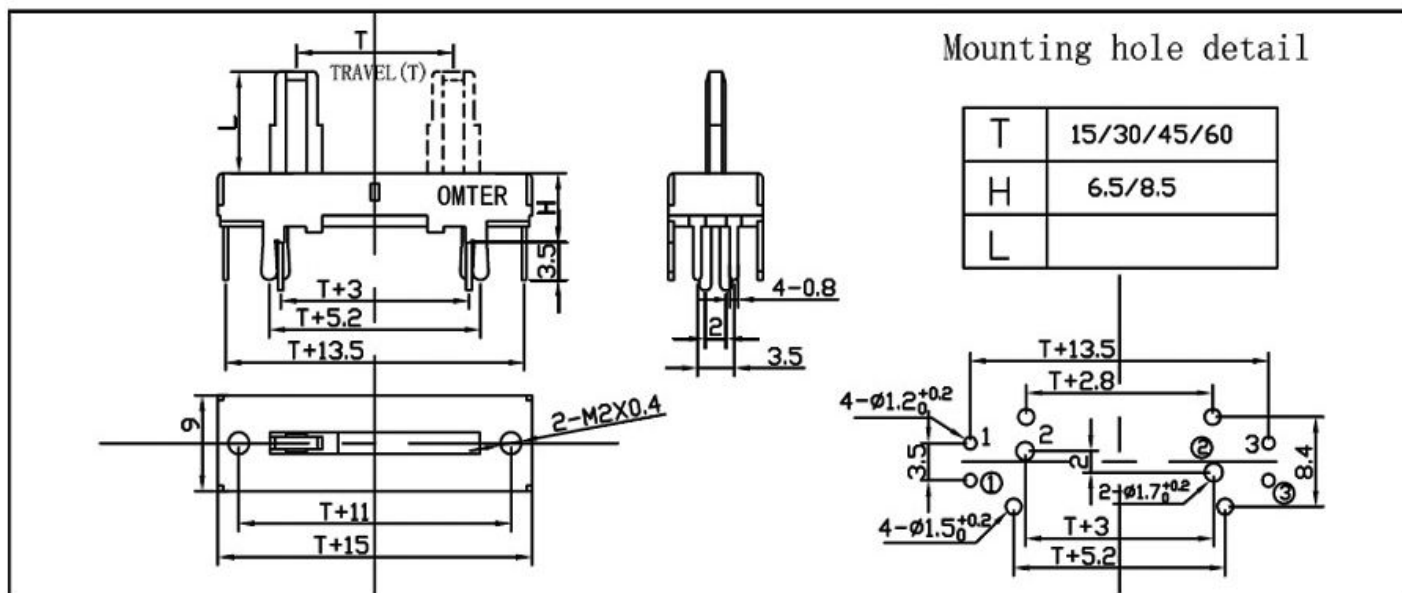
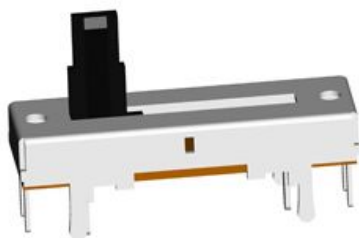


C3051G-A1

C4551G-A1

C6051G-A1



参数特性General Specification:

全阻抗值: Total Resistance	500Ω~1MΩ
全阻抗值容许差: Total Resistance tolerance	±20%
残留阻值: Residual resistance	Term.1~2:Less than10Ω Term.2~3:Less than10Ω
抵抗变化特性: Resistance Tape	A, B, C, D, W
定格电力: (W) Ratings Power	B: Single 0.2 Dual 0.1 Except B: Single0.1 Dual 0.05
额定电压: (V)Rated voltage	B: (C15:100) 其它:200 Except B: (C15:50) 其它:150
绝缘抵抗:Insulation Resistance	100MΩ min. at 250V DC
耐电压:Voltage proof	1minute at 300V AC
滑动寿命:Sliding Life	15,000 cycles min
滑动力矩:Operating Force	30gf.cm~100gf.cm
滑动止动强度:Lever stopper strength	5Kgf.cm(5mm point from mounting surface)
滑动柄晃强度: Lever wobble	2(2 x L)/20mm Max (L: Lever length both sides)
中心定位力: Click slip-out force	Operating force+20~200gf.cm
滑动杂音:Slider noise	未滿47mv Less than 47mv