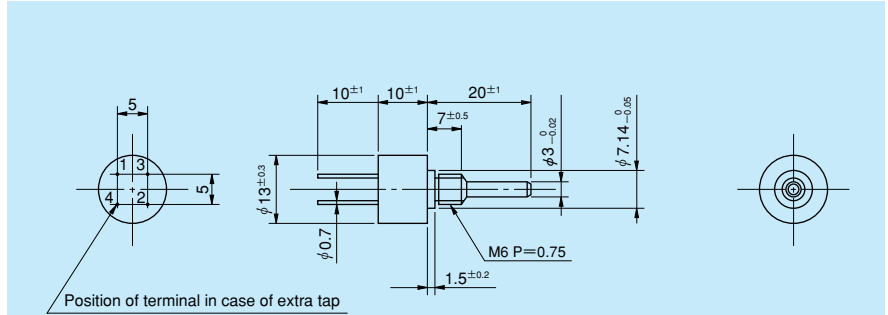




● Standard Dimensions



Note: 1. 1 pc. each inner teeth washer and hex nut are attached.
2. Please process the mounting hole on the panel to be mounted with this potentiometer by the diameter of 7.14mm^{+0.05}.

● General Specifications

Standard Resistance

Values:	1k, 2k, 5k, 10k (Ω)
Special Practical Resistance Values:	500, 20k, 50k, 100k (Ω)
Total Resistance Tolerance:	Standard Class ±15% (L) Precision Class ±10% (K)
Independent Linearity Tolerance:	Standard Class ±2.0% Precision Class ±1.0%
Resolution:	Essentially infinite
Output Smoothness:	Within 0.1% against input voltage

Contact Resistance

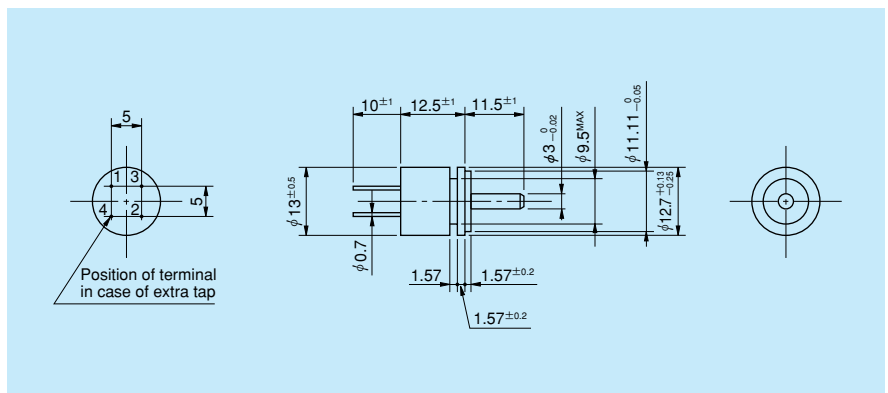
Variation:	Within 3% C.R.V.
Power Rating:	0.2W
Electrical Travel:	300° ±5°
Mechanical Travel:	360° (Endless)
Insulation Resistance:	Over 1,000MΩ at 500V.D.C.
Dielectric Strength:	1 minute at 500V.A.C.
Starting Torque:	Within 2mN·m (20gf·cm)
Resistance Temperature Coefficient:	±400p.p.m./°C
Mass:	Approx. 8g

● Special Specifications Available

Extra taps (Available up to 1 tap), Rear shaft (1mm dia. and 10mm length), Stopper (Rotating angle becomes 310° and stopper strength is 0.3N·m [3kgf·cm]), Special electrical travel, Inch dimensional shaft dia. (φ 3.175mm) · Bushing with inch dimensions, Special machining on the shaft.



● Standard Dimensions



● General Specifications

Standard Resistance

Values:	1k, 2k, 5k, 10k (Ω)
Special Practical Resistance Values:	500, 20k, 50k, 100k (Ω)
Total Resistance Tolerance:	Standard Class $\pm 15\%$ (L) Precision Class $\pm 10\%$ (K)
Independent Linearity Tolerance:	Standard Class $\pm 2.0\%$ Precision Class $\pm 1.0\%$
Resolution:	Essentially infinite
Output Smoothness:	Within 0.1% against input voltage

Contact Resistance

Variation:	Within 3% C.R.V.
Power Rating:	0.2W
Electrical Travel:	$300^\circ \pm 5^\circ$
Mechanical Travel:	360° (Endless)
Insulation Resistance:	Over 1,000M Ω at 500V.D.C.
Dielectric Strength:	1 minute at 500V.A.C.
Starting Torque:	Within 1mN·m (10gf·cm)
Resistance Temperature Coefficient:	± 400 p.p.m./ $^\circ\text{C}$
Mass:	Approx. 5g

● Special Specifications Available

Extra taps (Available up to 1 tap), Rear shaft (1mm dia. and 10mm length), Stopper (Rotating angle becomes 310° and stopper strength is 0.3N·m [3kgf·cm]), Special electrical travel, Inch dimensional shaft dia. ($\phi 3.175$ mm) · Special machining on the shaft.

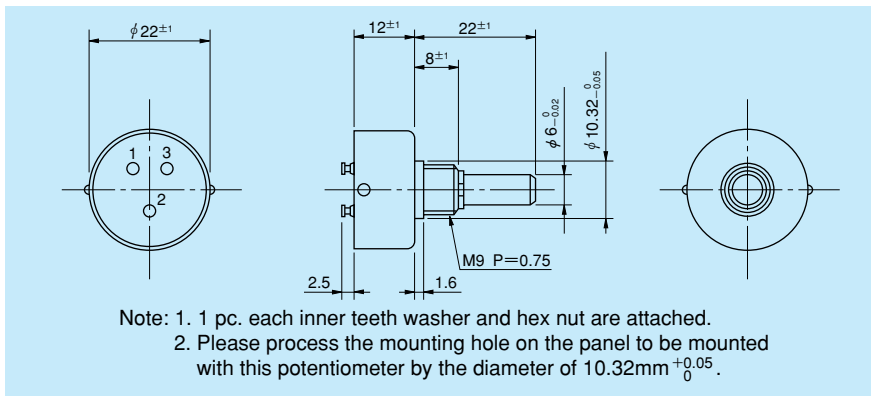
LOW-COST ITEM

Conductive Plastic

MODEL FCP22AC

(Bushingmount)

● Standard Dimensions



● General Specifications

Standard Resistance

Values:	1k, 2k, 5k, 10k (Ω)
Special Practical Resistance Values:	500, 20k, 50k, 100k (Ω)
Total Resistance Tolerance:	Standard Class $\pm 15\%$ (L) Precision Class $\pm 10\%$ (K)
Independent Linearity Tolerance:	Standard Class $\pm 1.5\%$ Precision Class $\pm 1.0\%$
Resolution:	Essentially infinite
Output Smoothness:	Within 0.1% against input voltage

Contact Resistance

Variation:	Within 2% C.R.V.
Power Rating:	1.0W
Electrical Travel:	$320^\circ \pm 5^\circ$
Mechanical Travel:	360° (Endless)
Insulation Resistance:	Over 1,000M Ω at 500V.D.C.
Dielectric Strength:	1 minute at 500V.A.C.
Starting Torque:	Within 5mN·m (50gf·cm)
Resistance Temperature Coefficient:	± 400 p.p.m./ $^\circ\text{C}$
Mass:	Approx. 30g

● Special Specifications Available

Extra taps (Available up to 1 tap), Rear shaft (3mm dia. and 20mm length), Stopper (Rotating angle becomes 320° and stopper strength is 0.9N·m [9kgf·cm]), Special electrical travel, Inch dimensional shaft dia. ($\phi 6.35$ mm) · Bushing with inch dimensions, Special machining on the shaft.