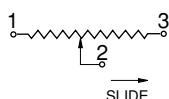
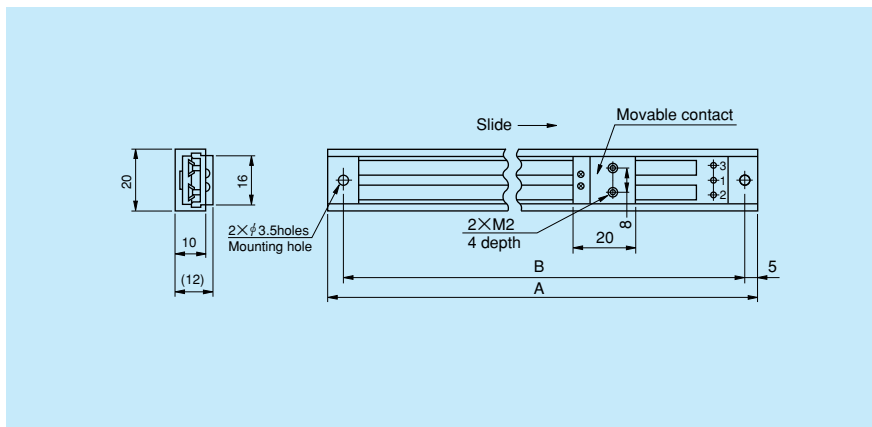


Model CFL200

● Terminal Connection Diagram



● Standard Dimensions



● Standard Model Nos.

CFL200	Stroke	200mm
CFL300	Stroke	300mm
CFL400	Stroke	400mm
CFL500	Stroke	500mm
CFL1000	Stroke	1,000mm

● General Specifications

Model No.		CFL200	CFL300	CFL400	CFL500	CFL1000
Dimension	A±1	250mm	350mm	450mm	550mm	1,050mm
	B±0.5	240mm	340mm	440mm	540mm	1,040mm
Standard Resistance Values		2k, 5k, 10k (Ω)	5k, 10k, 20k (Ω)	5k, 10k, 20k 50k, 100k (Ω)	5k, 10k, 20k 50k, 100k (Ω)	10k, 20k, 50k 100k, 200k 500k (Ω)
Total Resistance Tolerance	Standard Class	±20% (M)				
	Precision Class	±10% (K)				
Independent Linearity Tolerance	Standard Class	±0.5%				
	Precision Class	±0.1%				
	Super-Precision Class	±0.05%				—
Output Smoothness		Within 0.1% against input voltage				
Contact Resistance Variation		Within 2% C.R.V.				
Power Rating		2.0W	2.5W	3.0W	4.0W	6.0W
Electrical Stroke		200±1mm	300±1mm	400±1mm	500±1mm	1000±1mm
Mechanical Stroke (See within note)		Approx. 203mm	Approx. 303mm	Approx. 403mm	Approx. 505mm	Approx. 1005mm
Insulation Resistance		Over 1,000MΩ at 500V.D.C.				
Dielectric Strength		1 minute at 500V.A.C.				
Friction		Within 0.2N (20gf)				
Max. Working Voltage		500V				
Resistance Temperature Coefficient		±400p.p.m./°C				
Life Expectancy		10,000,000 slider reciprocating motions				
Operating Temperature Range		-30°C ~ +105°C				
Mass (Approx.)		70g	100g	130g	160g	300g

Note: The values of mechanical stroke are approximate ones, because of no mechanical stopper mounted at both ends. Whenever a movable contact operates at both ends, please be careful to operate it without leaving the track.

● Special Specifications Available

Mechanical stops at both ends.