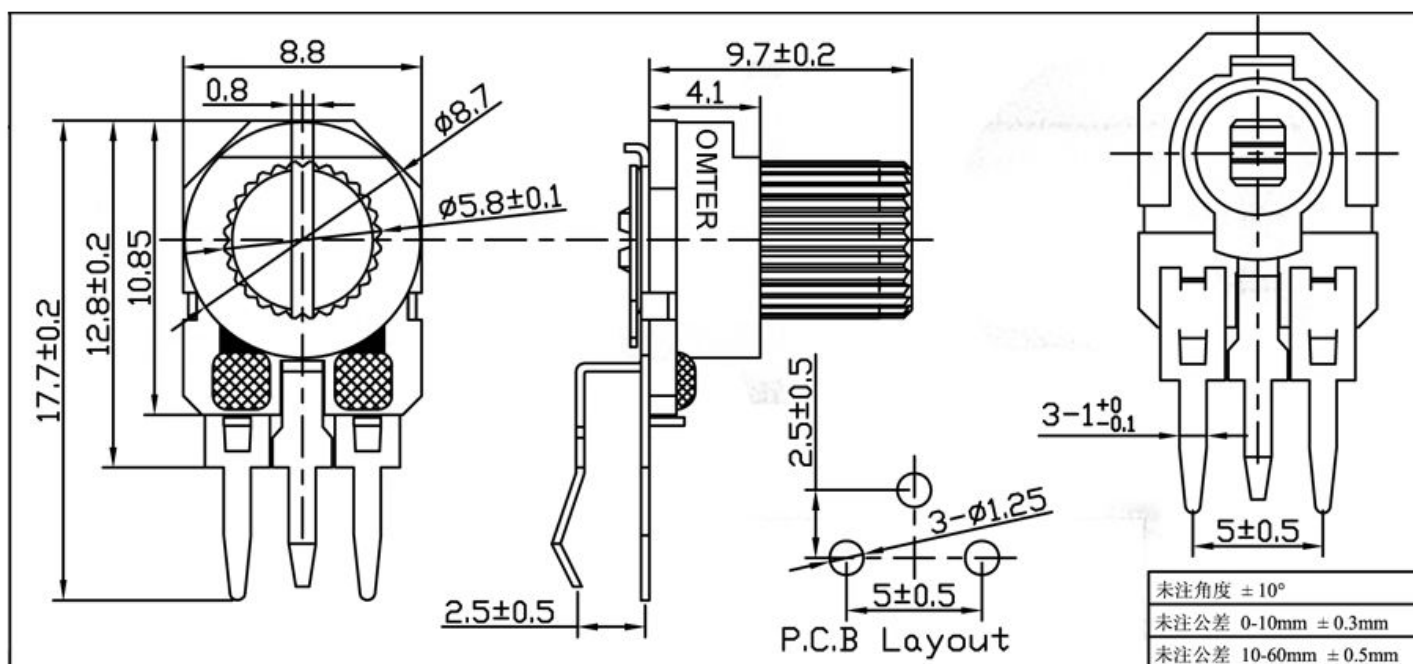
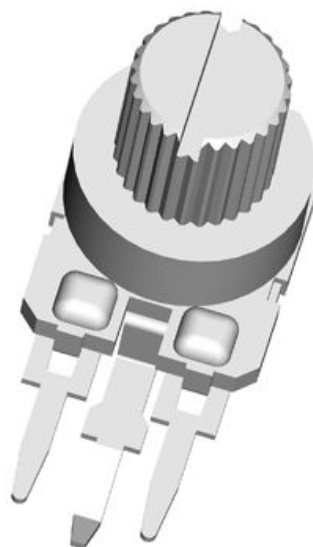


## SC-083B

**Feature特点:**

- ◇ 3 Pins (三端型) ◇ Vertical Mount/ Horizontal Adjust (直立/横调式) ◇ with 8.9mm Cover (附防尘盖)
- ◇ RoHS Compliant (环保产品, 有RoHS认证)

**参数特性 General Specification:**

总阻值范围 Nominal Resistance	100 $\Omega$ to 1M $\Omega$
标准阻值误差 Resistance Tolerance	$\pm 30\%$ standard
残留阻值 Residual Resistance	Maximum 5% of Nominal Resistance, but less than 30 $\Omega$
线性 Taper	Linear (B)
额定功率 Power Rating	0.3W
使用电压 Operating Voltage	Less than (少于) 100V
旋转寿命 Rotational Life	Maximum $\pm 15\%$ change in Nominal Resistance after 50 Cycles Unloaded
负载寿命 Load Life	Maximum $\pm 5\%$ change in Nominal Resistance after 3 hours loaded
旋转角度 Rotational Angle	$270^\circ \pm 20^\circ$
扭转力矩 Torque	60 ~ 300 g.cm
止挡强度 End-Stop Strength	500g.cm (Min.)
使用温度 Operating Temperature	$-25^\circ\text{C} \sim +80^\circ\text{C}$
温度特性 Temperature Characteristics	$0 \pm 200$ ppm/ $^\circ\text{C}$ ( $-30^\circ\text{C} \sim 100^\circ\text{C}$ )
湿度特性 Humidity Characteristics	Maximum $\pm 5\%$ Change in Resistance after 500 hours at $40^\circ\text{C}$ and RH 95% loaded