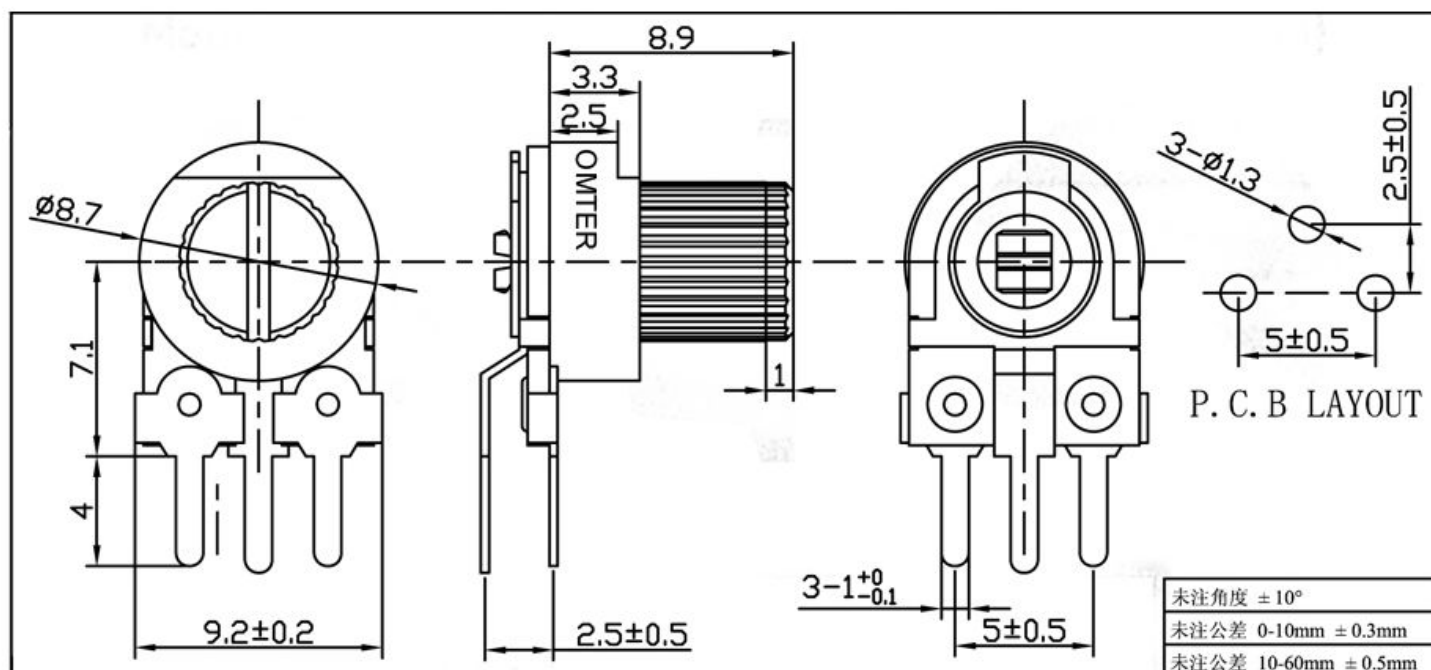
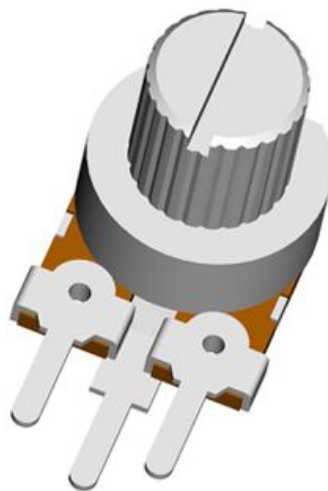


## SR-083B

**Feature特点:**

- ◇ 3 Pins (三端型)
- ◇ Horizontal Mount/Vertical Mount (横调/直立式)
- ◇ with 8.9mm shaft (柄高 8.9mm)
- ◇ RoHS Compliant (环保产品, 有RoHS认证)

**参数特性 General Specification:**

标准阻值范围 Standard Resistance Range	100 $\Omega$ to 1M $\Omega$
标准阻值公差 Resistance Tolerance	$\pm 30\%$ standard
残留阻值 Residual Resistance	Maximum 5% of Nominal Resistance but less than 30 $\Omega$ , whichever is lower 最大为标准阻值的5%, 但不超过30 $\Omega$
阻值变化特性 Resistance Taper	B=Linear; B=直线
额定功率 Power Rating	0.1W
使用电压 Operating Voltage	Less than (少于) 50V
旋转寿命 Rotational Life	Maximum +/-15% change in Nominal Resistance after 100 Cycles unloaded
负载寿命 Load Life	Maximum +/-5% change in Nominal Resistance after 3 hours loaded
机械强度 Mechanical Strength	Bakelite sheet be not broken down under pressure of 1Kg.cm Maximum
胶盖推拉力 Shaft push pull strength	1Kg.cm Minimum for 5 Seconds
旋转角度 Rotational Angle	$270^\circ \pm 20^\circ$
扭转力矩 Torque	20 to 100 g.cm
止挡强度 Stop Strength	500g.cm (Min.)
用温度范围 Operating Temperature	$-5^\circ\text{C} \sim +40^\circ\text{C}$
温度特性 Temperature Characteristics	$+5 \sim -30^\circ\text{C}$ change in resistance after 5 hours at $70^\circ\text{C}$