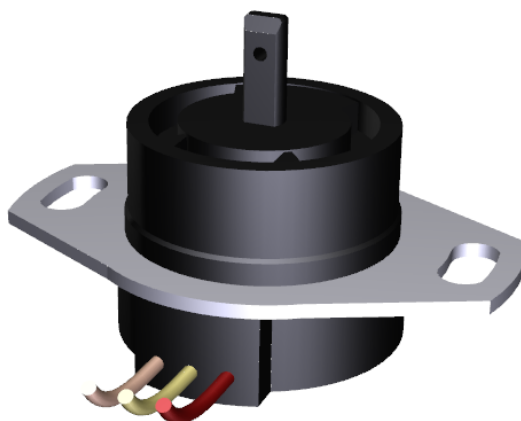


OF40 导电塑胶旋转位移精密电位器
OF40 Conductive Plastic Potentiometer



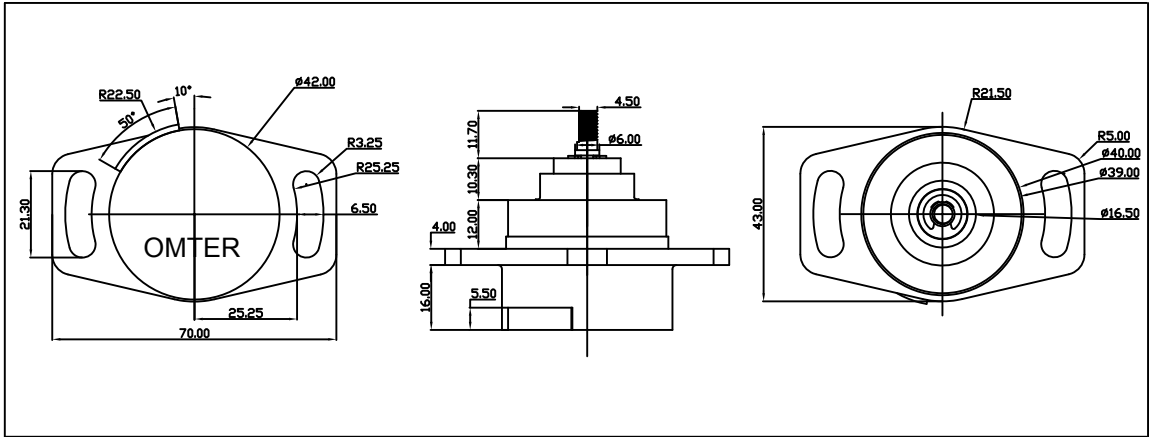
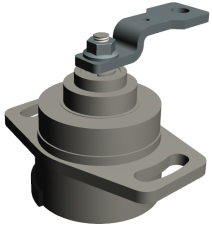
特性FEATURES

- | | |
|------------------|-----------------------------------|
| 高可靠性 | 金属轴柄 |
| High reliability | Metal shaft |
| 经济 | 精密制造技术 |
| Low cost | Precision manufacturing technique |
| 长寿命 | 可达1000万次回旋 |
| Long life | Max to 10,000,000 turns. |

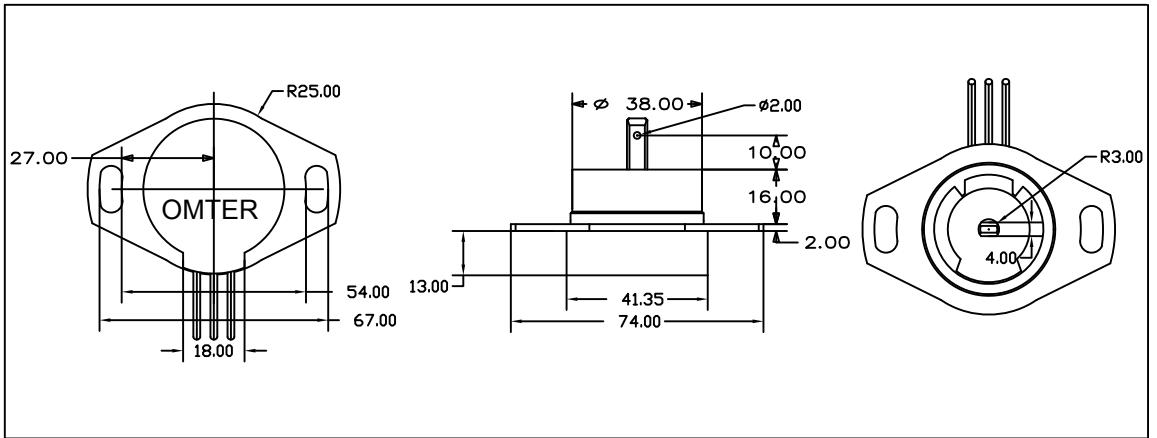
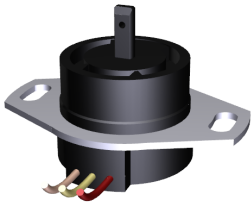
主要参数MAIN SPECIFICATION

- Range of Value (标称阻值范围) 1K-10K Ω
- Tolerance (阻值偏差) ±5%, ±10%, ±20%
- Max Voltage (最高工作电压) 250V (Linear)
- Power Rating (额定功耗) 1W (70℃)
- Operating Temperature (环境温度) - 65~+125℃
- Taper (阻值规律) Linear, Log, Alog
- Temperature Coefficient (温度系数) <500ppm/℃
- Wiper Torque (旋转力矩) 4~45Ncm
- Angle of Rotation (机械旋转角度) 340° ±3°
- Angle of Electronic (有效电气角度) 300° ±3°
- (other upon request 其他角度可依要求)
- Electrical Life (机械耐久性) ≤ ±10%
- Rotational Life (回旋寿命) 200K, 500K, 1M Turns
- Bear to weld (耐焊接热) ≥ 350℃ ±10℃/sec
- Vibration (耐振动) ≤ ±2%

OF40A



OF40B



OF22

