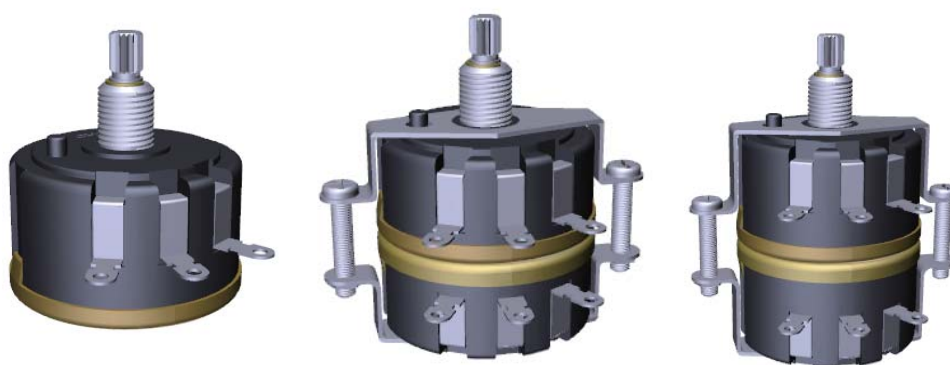


WX 系列 线绕单圈电位器  
WX Series Wire-wound potentiometer

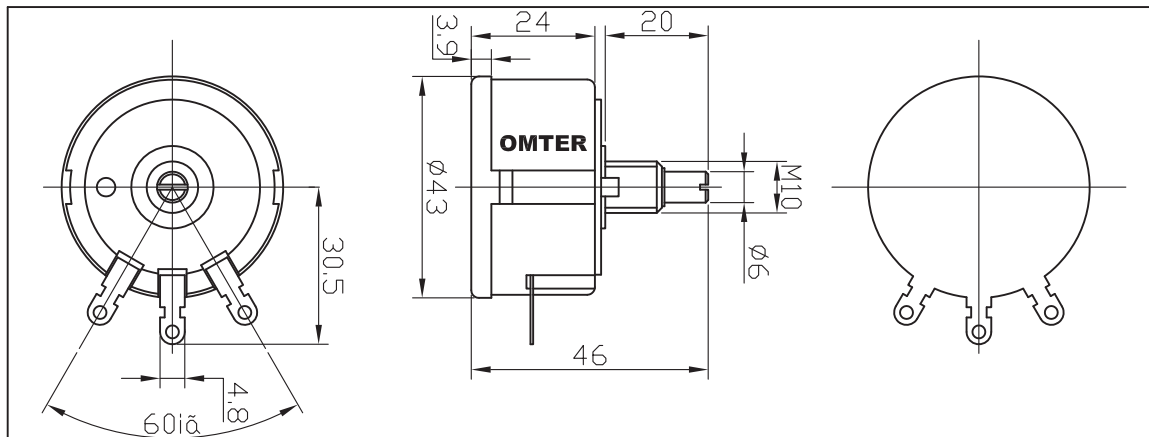


WX050                      2KΩ                      ±10%                      S                      15

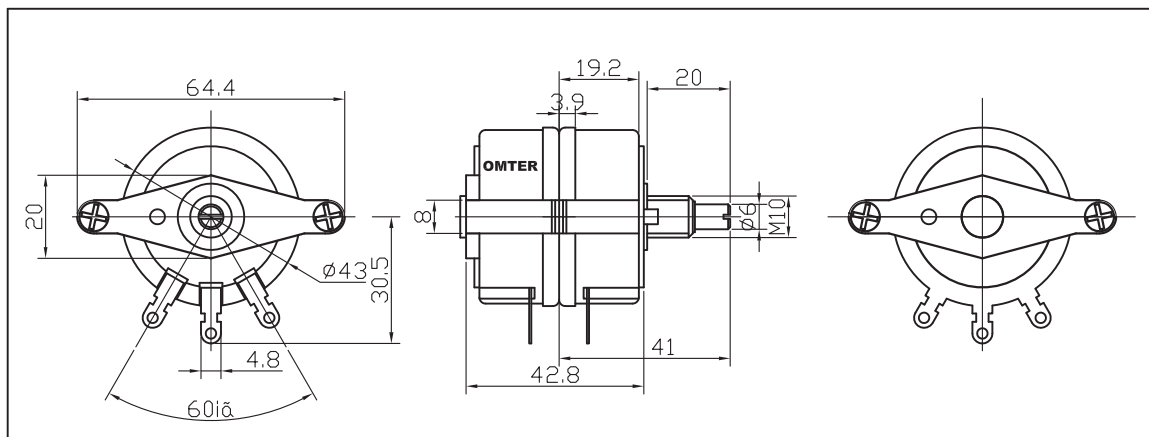
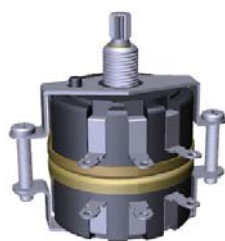
TYPE                      Resistance                      Resistance Tolerance                      Shaft Type                      Shaft Length

Main performance	WX050	WX230	WX250
Rated power	5W	5W	5W
Max.operating voltage	315V DC	320V DC	320V DC
Resistance range & curve	22Ω----39KΩ	22Ω----39KΩ	22Ω----39KΩ
Resistance error	±10%	±5% ±10%	±5% ±10%
Rotation torque	4--30mN.m	/	/
Total mechanical travel	300°±10°		
Mechanical endurance	10000 Cycles		

WX050



WX230



WX250

